

Inductive sensor

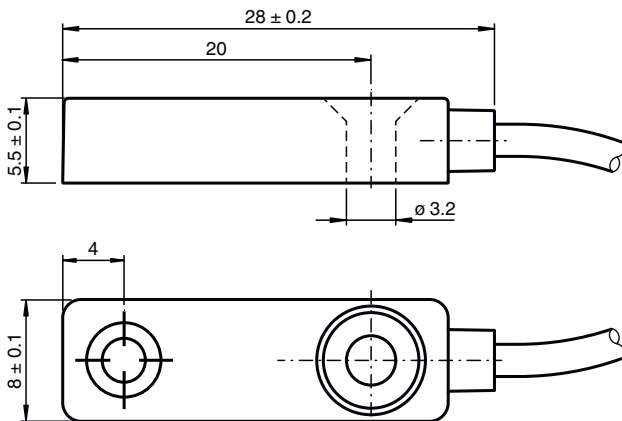
NBB2-F76-E3-0,5M



- 2 mm flush
- 3-wire DC



Dimensions



Technical Data

General specifications			
Switching function			Normally closed (NC)
Output type			PNP
Rated operating distance	s_n		2 mm
Installation			flush
Output polarity			DC
Assured operating distance	s_a		0 ... 1.62 mm
Reduction factor r_{Al}			0.25
Reduction factor r_{Cu}			0.2
Reduction factor r_{304}			0.63
Reduction factor r_{Brass}			0.31
Output type			3-wire
Nominal ratings			
Operating voltage	U_B		10 ... 30 V DC
Switching frequency	f		0 ... 1500 Hz
Hysteresis	H		typ. 5 %
Reverse polarity protection			reverse polarity protected
Short-circuit protection			pulsing
Voltage drop	U_d		≤ 3 V

Release date: 2022-06-30 Date of issue: 2022-06-30 Filename: 214958_eng.pdf

Refer to "General Notes Relating to Pepperl+Fuchs Product Information".

Pepperl+Fuchs Group
www.pepperl-fuchs.com

USA: +1 330 486 0001
fa-info@us.pepperl-fuchs.com

Germany: +49 621 776 1111
fa-info@de.pepperl-fuchs.com

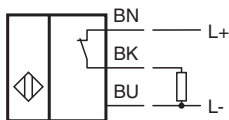
Singapore: +65 6779 9091
fa-info@sg.pepperl-fuchs.com

PEPPERL+FUCHS

Technical Data

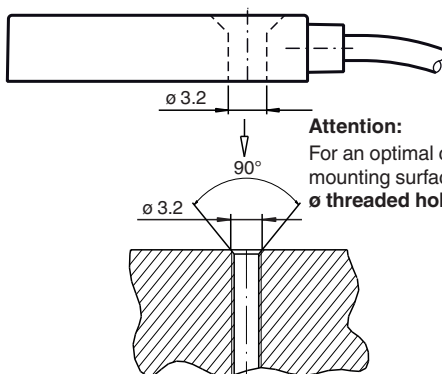
Operating current	I_L	0 ... 100 mA
Off-state current	I_r	0 ... 0.5 mA typ. 10 μ A at 25 °C
No-load supply current	I_0	\leq 15 mA
Switching state indicator		LED yellow
Functional safety related parameters		
MTTF _d		1056 a
Mission Time (T _M)		20 a
Diagnostic Coverage (DC)		0 %
Compliance with standards and directives		
Standard conformity		
Standards		EN 60947-5-2:2007 EN 60947-5-2/A1:2012 IEC 60947-5-2:2007 IEC 60947-5-2 AMD 1:2012
Approvals and certificates		
CCC approval		CCC approval / marking not required for products rated \leq 36 V
Ambient conditions		
Ambient temperature		-25 ... 70 °C (-13 ... 158 °F)
Mechanical specifications		
Connection type		cablc PVC , 0.5 m
Core cross section		3 x 0.09 mm ²
Housing material		PC
Degree of protection		IP67
Mass		5 g
Tightening torque, fastening screws		0.7 Nm

Connection Assignment



Assembly

Important Mounting Note



Attention:

For an optimal connection of the sensor via its sleeve with the mounting surface, the following applies:
 \varnothing threaded hole on mounting surface (countersink) < \varnothing sleeve

Mounting

Caution:

The diameter of any countersink on the on-site M3 threaded hole must not be greater than 3.2 mm. Only in this way is the shouldering of the sensor's metal insert bushing guaranteed.